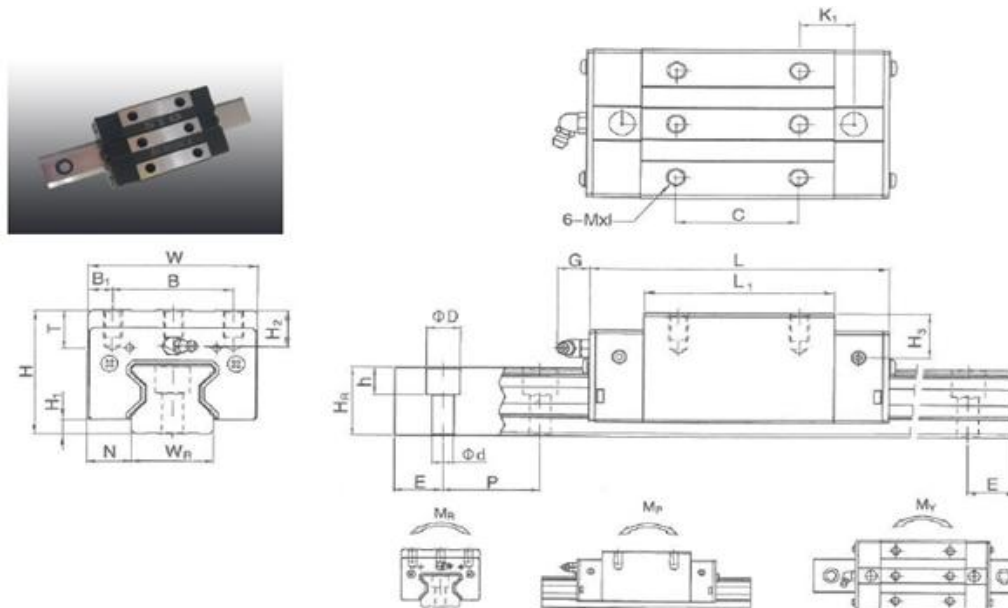


## RC 高刚性滚子型 RCH-CA / RCH-HA



轴承型号 Bearing NO.	主要尺寸 (mm) Dimentions				滑块尺寸 (mm) Block Dimentions													导轨尺寸 (mm) Rail Dimentions						重量 Weight	
	H	H1	N	W	B	B1	C	L1	L	K1	K2	G	M*1	T	H2	H3	WR	HR	D	h	d	P	E	kg	kg/m
RCH 15CA	28	4.0	9.5	34.0	26.0	4.0	26.0	45.0	68.0	13.4	4.7	5.3	M4*8	6.0	7.6	10.1	15.0	16.5	7.5	5.7	4.5	30.0	20.0	0.22	1.8
RCH 20CA	34	5.0	12.0	44.0	32.0	6.0	36.0	57.5	86.0	15.8	6.0	5.3	M5*8	8.0	8.3	8.3	20.0	21.0	9.5	8.5	6.0	30.0	20.0	0.37	2.76
RCH 20HA							50.0	77.5	106.0	18.8							23.0	24.0	9.0	10.0	0.49				
RCH 25CA	40	5.5	12.5	48.0	35.0	6.5	35.0	64.5	97.9	20.75	7.25	12.0	M6*8	9.5	10.2	10.0	23.0	23.6	11.0	9.0	7.0	30.0	20.0	0.55	3.08
RCH 25HA							50.0	81.0	114.4	21.5							23.0	24.0	9.0	10.0	0.7				
RCH 30CA	45	6.0	16.0	60.0	40.0	10.0	40.0	71.0	109.8	23.5	8.0	12.0	M8*10	9.5	9.5	10.3	28.0	28.0	14.0	12.0	9.0	40.0	20.0	0.82	4.41
RCH 30HA							60.0	93.0	131.8	24.5							28.0	29.0	10.0	11.0	1.07				
RCH 35CA	55	6.5	18.0	70.0	50.0	10.0	50.0	79.0	124.0	22.5	10.0	12.0	M8*12	12.0	16.0	19.6	34.0	30.2	14.0	12.0	9.0	40.0	20.0	1.43	6.06
RCH 35HA							72.0	106.5	151.5	25.25							34.0	35.0	10.0	11.0	1.86				
RCH 45CA	70	8.0	20.5	86.0	60.0	13.0	60.0	106.0	153.2	31.0	10.0	12.9	M10*17	16.0	20.0	24.0	45.0	38.0	20.0	17.0	14.0	52.5	22.5	2.97	9.97
RCH 45HA							80.0	139.8	187.0	37.9							45.0	46.0	10.0	11.0	3.97				
RCH 55CA	80	10.0	23.5	100.0	75.0	12.5	75.0	125.5	183.7	37.75	12.5	12.9	M12*18	17.5	22.0	27.5	53.0	44.0	23.0	20.0	16.0	60.0	30.0	4.62	13.98
RCH 55HA							95.0	173.8	232.0	51.9							53.0	54.0	10.0	11.0	6.4				
RCH 65CA	90	12.0	31.5	126.0	76.0	25.0	70.0	160.0	232.0	60.8	15.8	12.9	M16*20	25.0	15.0	15.0	63.0	53.0	26.0	22.0	18.0	75.0	35.0	8.33	20.22
RCH 65HA							120.0	223.0	295.0	67.3							63.0	64.0	10.0	11.0	11.62				

注: 1kgf=9.81N